

Numeracy

2022 Q1 Numeracy

Today's date:

Given name:

Family name:

Organisation:

Course:

Gender: Female Male Diverse

Date of birth:

Is English your first language? Yes No

If No, what is your first language?

What ethnic group(s) do you belong to?
(For example, New Zealand European, Māori, Samoan, Tongan.)

Learner Identification (optional)

NSN:

SMS ID:

Instructions

This is an assessment of how well you understand numeracy problems.

The practice questions below help you to understand different sorts of numeracy questions. When you have finished the practice questions please turn the page and begin the assessment. You may need to wait for your tutor to tell you when to begin.

You need to choose the answer you think is best for each question. It is a good idea to read parts of the text again before choosing each answer.

Answer every question, even if you are not quite sure of the answer. If you change your mind about an answer, rub out the answer you chose and shade in your new answer. The questions are likely to get harder as you go through the book.

There is no time limit for the assessment. You will be given about 15 questions to answer.

Practice Unit



1 How many cakes are in the cake tray?

- A 10
- B 11
- C 12
- D 13



2 How many trays do you need to bake **24** cakes at the same time?

_____ trays



3 You have 3 of these trays. How many cakes could you bake altogether?

_____ cakes

Show your calculations below.

12

15

14

13

11



4 Write these five numbers in order from **smallest** to **largest**.

Smallest _____ **Largest**



5 Are the numbers below larger than 20?

Circle Yes or No for **each one**.

- | | | |
|------|-----|----|
| A 7 | Yes | No |
| B 23 | Yes | No |
| C 31 | Yes | No |
| D 18 | Yes | No |

END OF PRACTICE QUESTIONS

Choose which number

1 Which number has three tens and four units (ones)?

- A 33
- B 34
- C 43
- D 44
- E 304
- F 340

Open Late



Hine opens her shop 7 days a week.
For 2 days of each week her shop stays open until late.

2 For what fraction of each week does Hine's shop stay open until late?

- A $\frac{1}{2}$
- B $\frac{7}{2}$
- C $\frac{2}{7}$
- D $\frac{2}{5}$

Fruit sales 2



3 Do the following people have enough money to pay for the bag of apples pictured?

Circle **Yes** or **No** for each person.

A George: \$2, \$2, \$2, \$1	Yes	No
B Ryan: \$2, \$2, \$2, \$2	Yes	No
C Lyn: \$2, \$2, \$2, \$1, 50c, 10c	Yes	No
D Tim: \$2, \$2, \$2, \$1, 20c, 20c, 20c, 10c	Yes	No

Laying bricks 2



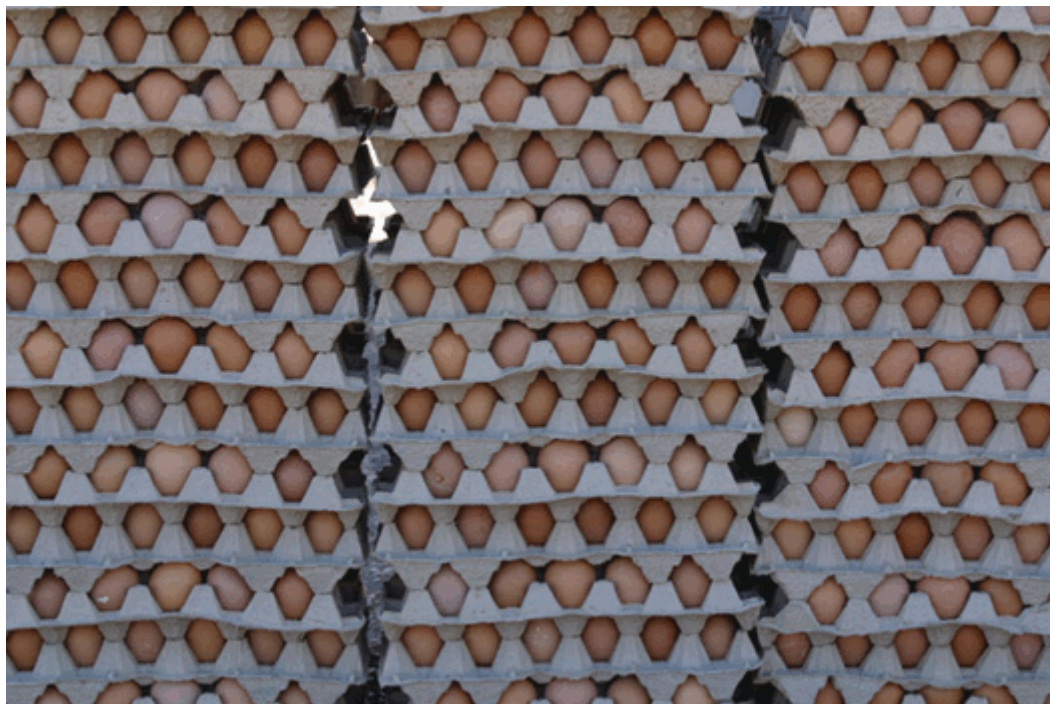
Jim can lay **100** bricks each hour that he works.



4 Jim needs to lay **3,500** bricks. About how many hours will it take him?

_____ hour(s)

Stacks of eggs 1



A supermarket has 200 trays of eggs. The trays have 30 eggs each.



5 How many eggs are there altogether?

- A 230
- B 600
- C 6,000
- D 20,030
- E 60,000

Buying pasta



- 6 David bought 4 packets of pasta, with a **total weight** of 1500 grams.

What is this in kilograms?

- A 15
- B 1.5
- C 150
- D 0.15

School Fair 3



- 7 What is the total amount of money that comes from the sale of 100 hamburgers, 200 sausages and 150 buckets of popcorn?

\$ _____

Weight measurements 2

Date	Weight
June 2nd	81 kg
June 16th	79.5 kg
June 30th	80 kg
July 14th	78 kg
July 28th	77 kg
August 11th	76.5 kg

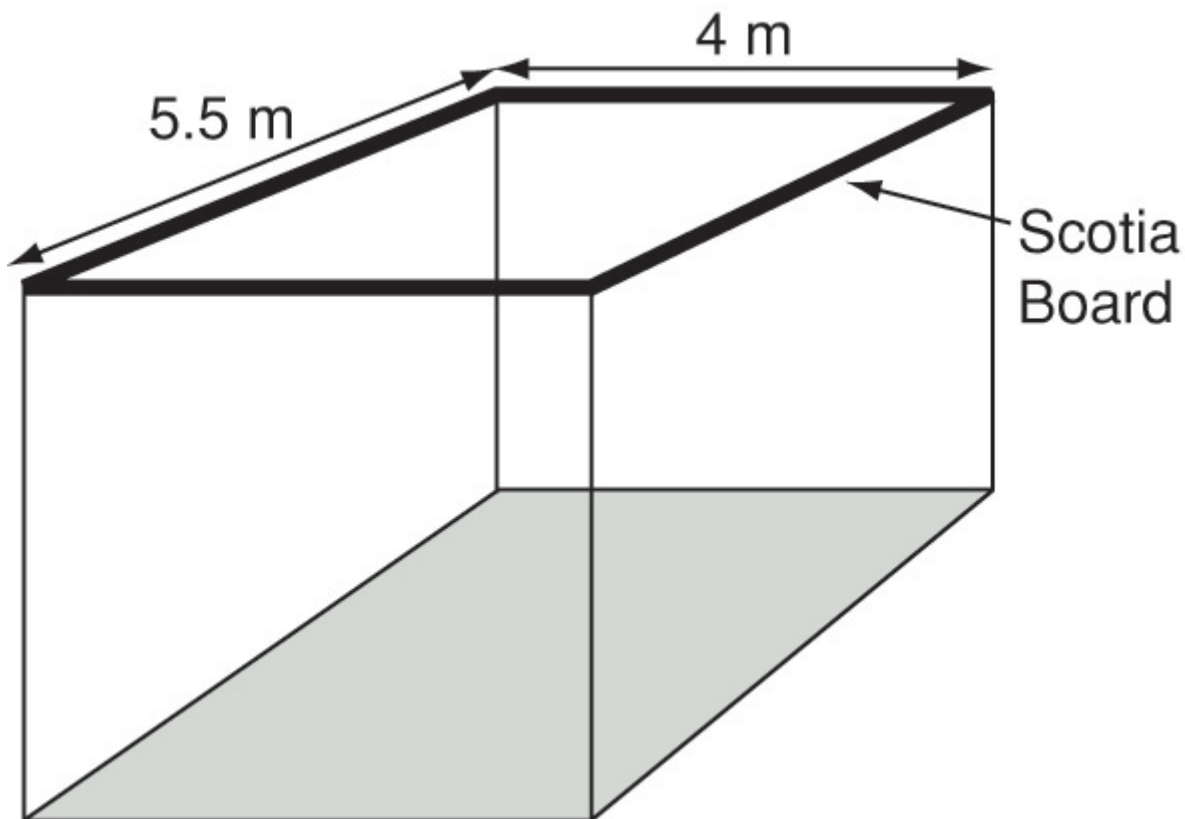


The weight of a patient is recorded once a fortnight.

- 8 What is the difference in weight between June 2nd and August 11th?

_____ kg

Replacing the scotia board



Tane is replacing the scotia board in this room. He measures the length around the ceiling.

9 What is the total length around the ceiling in this room?

- A 9.5 m
- B 18.5 m
- C 19 m
- D 22 m

Ordering unit fractions 1

$$\frac{1}{4}$$

$$\frac{1}{8}$$

$$\frac{1}{3}$$


$$\frac{1}{10}$$

10 Write these fractions in order from **smallest** to **largest**.

Smallest _____ **Largest**


Estimation and multiplication

I calculated $80 \times 40 = 3200$, so that's my estimate



Kataraina

I calculated:
$$\begin{array}{r} 84 \\ \times 38 \\ \hline 672 \\ 2520 \\ \hline 3192 \end{array}$$
 so 3000 is my estimate.



Ra

Kataraina and Ra were asked to **estimate** 84×38 . Estimation is when you work out a rough answer using a quick and easy method, without having to work out the exact answer.



11 Which statement about Kataraina is true?

- A Kataraina is using estimation, but her estimate is far too small.
- B Kataraina is using estimation, and her estimate is reasonable.
- C Kataraina is using estimation, but her estimate is far too large.
- D Kataraina is not using estimation because her answer is **not** accurate.
- E Kataraina is **not** using estimation because she hasn't rounded properly.



12 Which is the best statement about what Ra has done?

- A Ra is using estimation because his answer is exactly right.
- B Ra is using estimation but he should have rounded his answer to 3200.
- C Ra is **not** using estimation because he did it exactly, but made it look like estimating by rounding it afterwards.
- D Ra is **not** using estimation because Kataraina is using the only correct way of estimating.

Planting pine seedlings

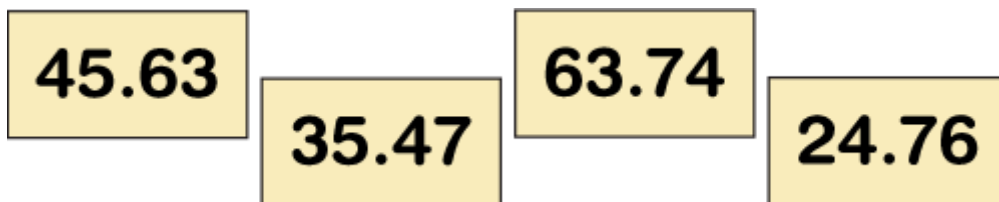


Eloisi's team is planting pine seedlings in a plantation forest. They have to plant an area of $50,000 \text{ m}^2$. They plant 1,250 seedlings per hectare.
(note: 1 hectare = $10,000 \text{ m}^2$)

13 How many pine seedlings will Eloisi's team plant altogether?

- A 4,000
- B 6,250
- C 40,000
- D 62,500
- E 400,000

Which number 4



14 Which number has a four in the **tenths** position?

- A 45.63
- B 35.47
- C 63.74
- D 24.76



15 35.47 rounded to the nearest whole number is:

END OF ASSESSMENT